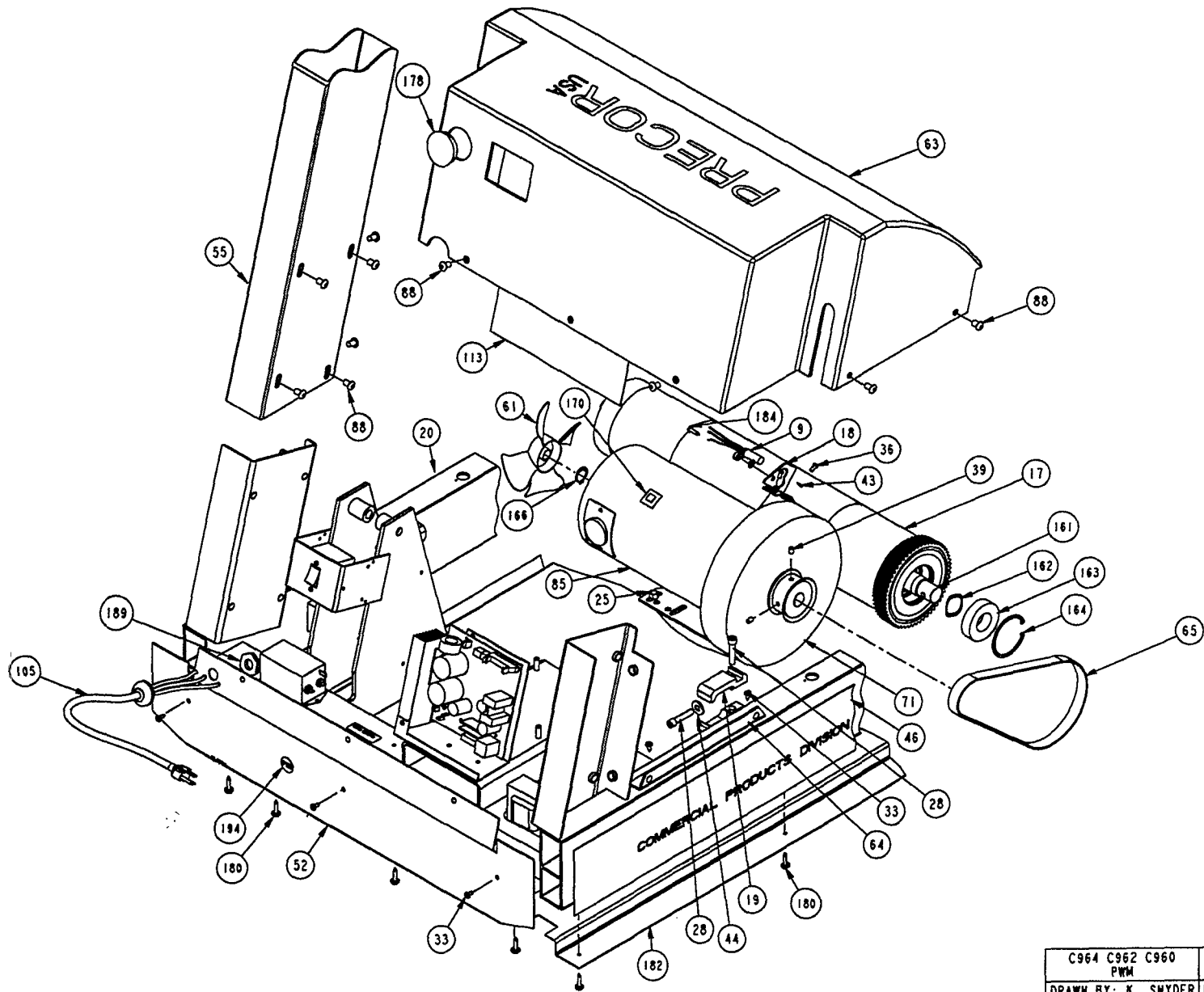
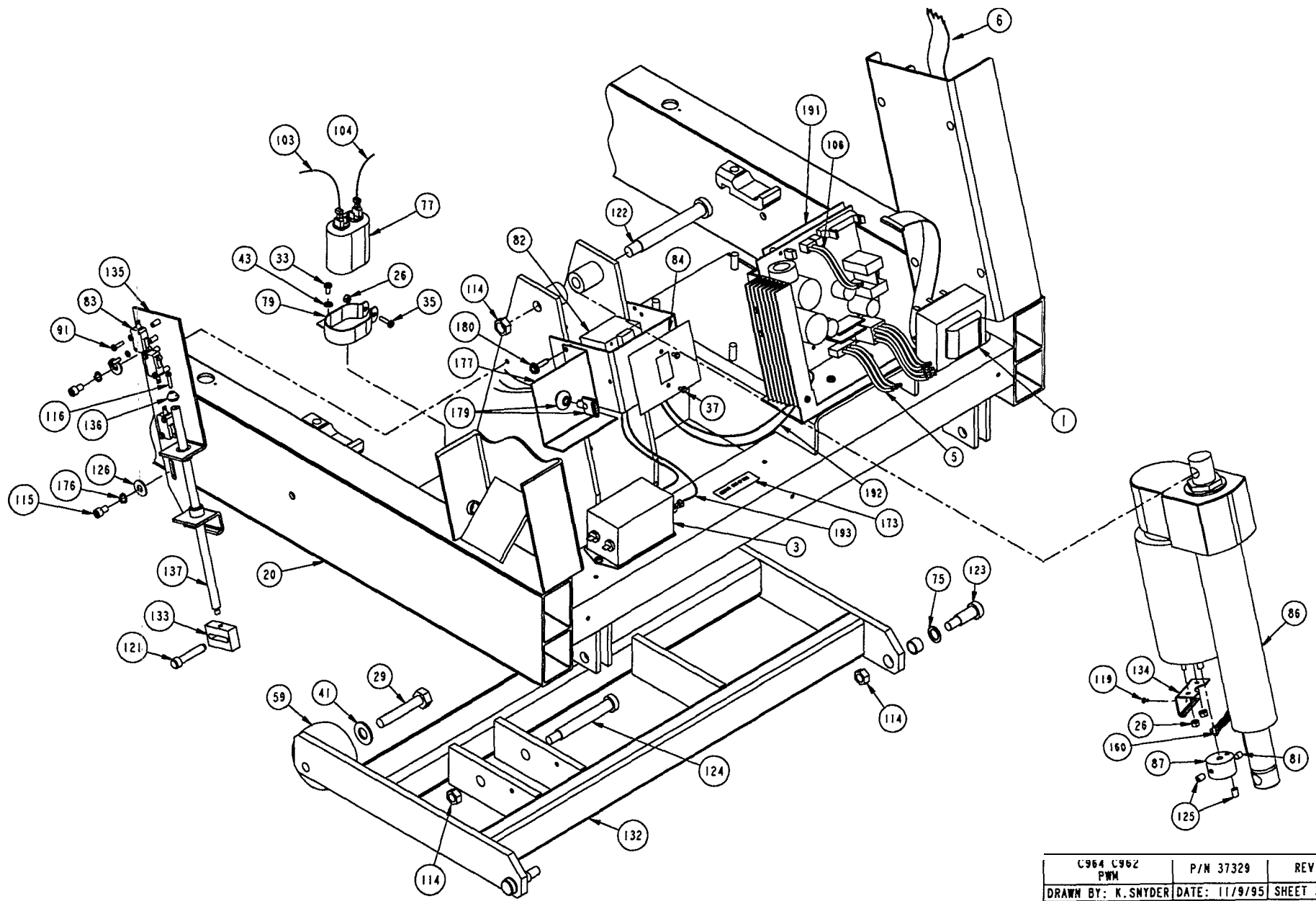


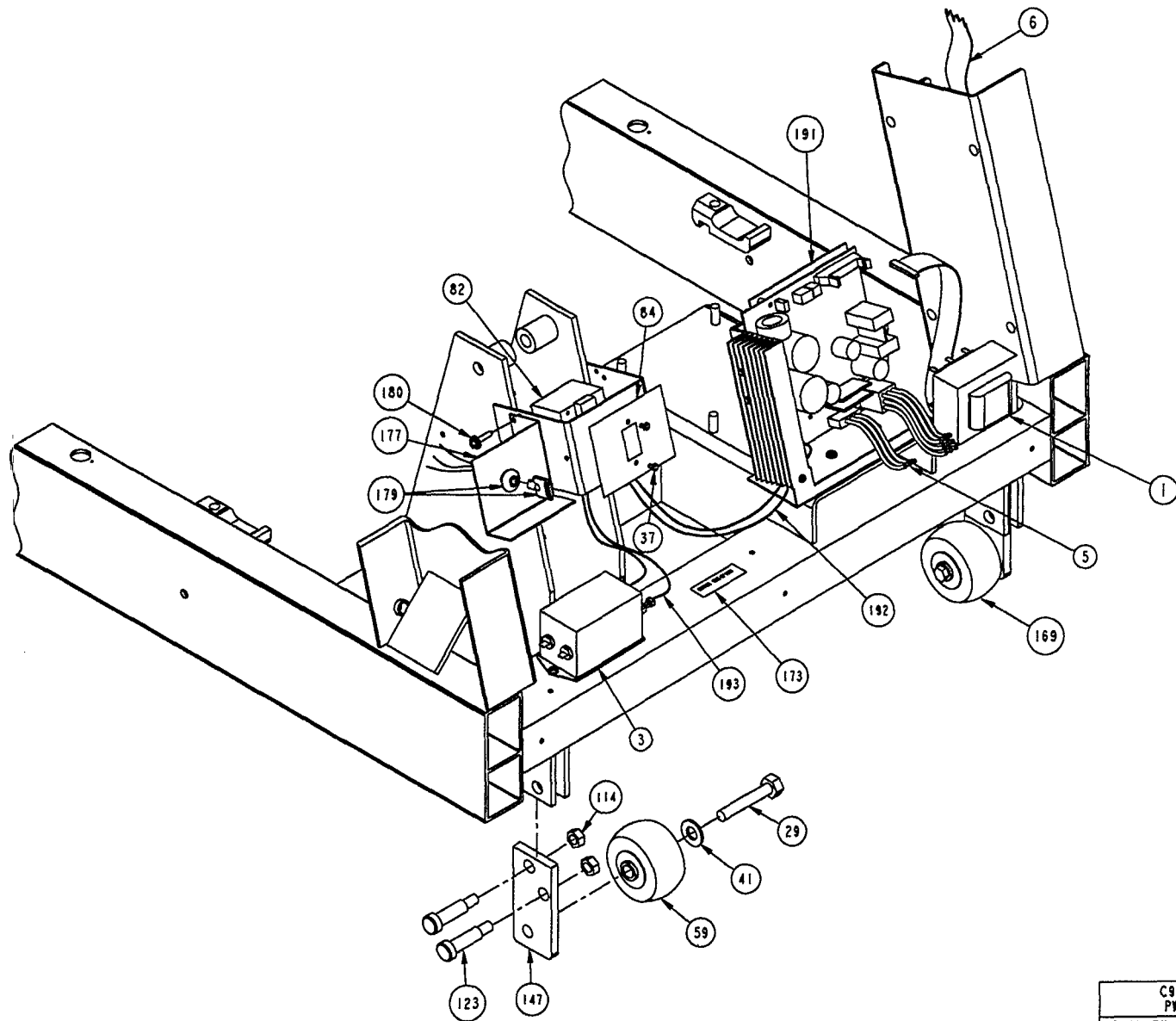
C964 C962 C960 PWN	P/N 37329	REV: A
DRAWN BY: K. SNYDER	DATE: 11/6/95	SHEET 1 OF 5



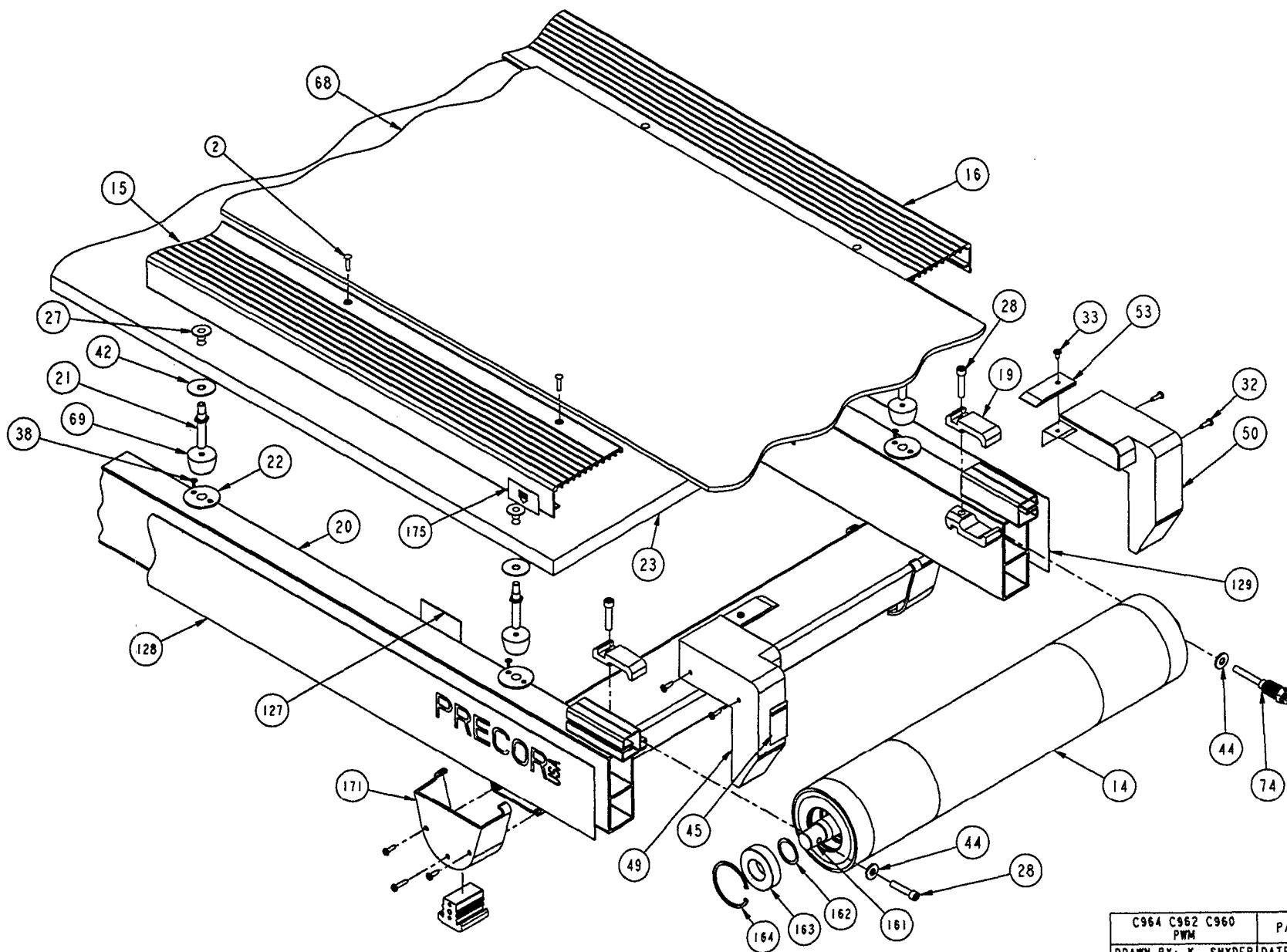
C964 C962 C960 P/W	P/N 37329	REV: A
DRAWN BY: K. SNYDER	DATE: 11/9/95	SHEET 2 OF 5



C964 C962	P/M 37329	REV: A
PWM		
DRAWN BY: K. SNYDER	DATE: 11/9/95	SHEET 3 OF 5



C960 P/M	P/M 37329	REV: A
DRAWN BY: K.SMYDER	DATE: 11/9/95	SHEET 4 OF 5



C964 C962 C960	P/W 37329	REV: A
PWM	DATE: 11/9/95	SHEET 5 OF 5
DRAWN BY: K. SNYDER		

C964 (120 VAC, version 2) (serial code 1Q)

Part Number	Description	Bubble Number
37068-103	ASSY, TRANSFORMER, PWM, 120V	1
DCKN019-100	SCREW, WOOD #10X1, L=1.00	2
11224-101	FILTER, PWR LINE, 250VAC, 16A	3
37714-102	ASSY, CBL, 83 , DISPLAY, PWM	6
33868-108	ASSY, CABLE, SPEED SENSOR, PWM,	9
33490-102	ASSY, TAKE-UP ROLLER, C960/SP	14
33560-102	ASSY, DRIVE ROLLER, C960/SP	17
33873-104	STUD, BED SPRING	21
36103-105	BUSHING, BED, C960	22
48401-102	BED, ASSEMBLED, BLACK C96XI	23
59001-102	ASSY, SAFETY CLIP	24
KGCN031-027	LOCKNUT, STARWASHER, 5/16-18, 1/2	25
KGCN016-013	LOCKNUT, STARWASHER 8-32, HEX	26
KANNN038-044	NUT, TEE, 3/8-16	27
CAKN031-150	SCREW, SKHD, 5/16-18X1.50, BLK ZN, LK	28
HCKN050-250	SCREW, HEX, GR 5, 1/2-13X2-1/2, BLK ZN	29
TAKT031-250	SCREW, BTHD, 5/16-18X2-1/2, BLK ZN	30
TAKN019-063	SCREW, BTHD, 10-24X5/8, BLK ZN	31
PBKN019-075	SCREW, S/T, #10X3/4, PANHD, PHIL,	32
PBKN019-050	SCREW, S/T, #10X1/2, PANHD, PHIL,	33
PGKN016-050	SCREW, S/T, #8X1/2, TRS, PHIL, BLK	34
MGCN016-063	SCREW, MCH, 8-32X5/8, PANHD, PHIL,	35
MHCN019-038	SCREW, MCH, 10-32X3/8, PANHD, PHIL	36
MGCE013-025	SCREW, MCH, 6-32X1/4, PANHD, PHIL,	37
PPCN011-038	SCREW, S/T, #4X3/8, FLTHD, PHIL,	38
EMKN008-010	SCREW, SET, M8-1.25XM10, KNRLDCUP	39
WBCN050-010	WASHER, FLT, 1/2, ID=.531,	41
WABCN044-006	WASHER, FEN. 7/16, ID=.500,	42
WATNN020-002	WASHER, LK-INT, #10, ID=.200,	43
WCCN031-008	WASHER, FLT, 5/16X.875X.083	44
33859-103	LABEL, SIDERAIL, FRONT, C960	46
10736-501	WASHER, RAIL, C960/SP, PT	48
33528-105	ENDCAP, LEFT REAR, PT C960	49
33528-106	ENDCAP, RIGHT REAR, PT	50
33644-106	WELDMENT, BASEPLATE, PAINTED,	51
50983-101	ASSY, CSAFE DISPLAY PLATE, C964	51
36400-103	GUARD, ETL COMPLIANCE	53
36400-104	GUARD, ETL COMPLIANCE PAINT	53
33735-201	WELDMENT, TARGA LEFT, PAINTED	54
33735-202	WELDMENT, TARGA RIGHT, PAINTED	55
33736-102	HANDRAIL, FRONT, PT	56
10123-102	CABLE TIE, 3-7/8 LONG, WHITE, NYL	57
37239-102	FAN, MOTOR, PWM, DL HUB	61
33566-102	CAP, END, REAR CROSS	62
59007-105	ASSY, HOOD & KEYLOC C960	63
33849-102	BRACKET, HOOD C960	64
10737-103	BELT, DRIVE, MOTOR, C960	65
36355-127	RUNNING BELT, SIEGLING, 138.10 X 20	68
33563-102	SPRING, BED SUPPORT	69
38756-101	ASSY, FLYWHEEL, 964I	71

ACHN244-008	RING,RETAINER	74
10213-105	BUSHING,OILITE,5/8 OD X 1/2 ID	75
10775-103	CAP,MOTOR RUN,25UF,370VAC	77
10036-104	CLAMP,CAPACITOR,1.75 DIA	79
10650-103	MAGNET,0.370 X 0.250	81
10435-101	CKT BRKR,250V,MAGNETIC,ROCKER,	82
10741-101	SWITCH,LIMIT,	83
37251-103	MOTOR,220VDC,3.0 HP,12 AMPS	85
33658-106	MOTOR,LIFT,120V,C94X ONLY	86
TAKN031-050	SCREW,BTHD,5/16-18X1/2,BLK ZN	88
KDCN011-008	LOCKNUT, FULL, 4-40,ZINC PLT	89
MGCE011-075	SCREW,MCH,4-40X3/4,PANHD,PHIL,	91
LANN018-250	PIN, DOWEL, 3/16 X 2.50	92
10731-101	SWITCH,MICRO,	93
59000-164	ASSY, HOUSING & KEYPAD W/O	94
33559-104	CAM, SAFETY SWITCH, C96X	95
33594-118	LABEL,DISPLAY ENGLISH C964 PWM	97
33662-115	PCA,DISPLAY,CLUB,C964I	98
45673-136	ASSY, LINE CORD,125V,20 AMP	105
36079-103	ASSY, CABLE, LIFT MOTOR, PWM,	106
44270-101	WHEEL, LIFT	111
KDCN038-025	LOCKNUT, FULL, 3/8-16, ZINC	114
CAKN025-038	SCREW,SKHD,1/4-20X3/8,BLK ZN,LK	115
CAKN013-050	SCREW,SKHD,6-32X0.50,BLK ZN,LK	116
36382-103	FOOT, C960	118
MGCN011-019	SCREW,MCH,4-40X3/16,PANHD,PHIL	119
RANE025-150	SCR,SHLD,1/4X20 X1-1/2 ,HEXSC	121
RCNN038-400	SCREW,SHLD,1/2 X 4 ,HEXSC,	122
RANN038-150	SCR,SHLD,1/2 X 1-1/2 ,HEXSC	123
RCNN038-325	SCR,SHLD,1/2 X 3-1/4 ,HEXSC,	124
EKKN025-025	SCREW,SET,1/4-20X1/4,KNRLDCUP,	125
WCCN025-007	WASHER, FLT, 1/4X.734X.065	126
33860-111	LABEL, SIDERAIL REAR LEFT C964	128
33860-112	LABEL,SIDERAIL REAR RIGHT C964	129
38038-501	LABEL,COURSE/INSTRU,ENGLISH	130
38039-501	LABEL,COURSE/INSTR,ENGLISH	131
33647-108	WELDMENT, LIFT PLAT, PT C960	132
33932-101	BLOCK, ACTUATOR	133
33702-101	BRACKET, SENSOR	134
33703-102	BRACKET, LIMIT SWITCH	135
37632-101	ACTUATOR, SWITCH	136
33934-801	SHAFT, ACTUATOR, FINISH C960	137
37127-102	ASSY, CABLE, LIFT SENSOR, PWM,	160
WAGNN117-002	WASHER, WAVE, 1.50 OD X 1.17	162
10397-101	BEARING, ROLLER M TREAD	163
10133-124	RING,RETAINER	164
59003-101	ASSY, VELCRO, HOOK & LOOP C960	165
10133-102	RING,RETAINER,3/4,EXT	166
AAHN034-006	RING,RETAINER,3/4,EXT	166
10332-101	MOUNT, CABLE TIE	170
59006-101	ASSY, REAR FOOT C960	171
37437-102	LABEL, FUSE, FIRE HAZARD	173

37621-101	LABEL,GROUND EFFECTS,OVAL,DURO-LENZ	175
WATNN025-003	WASHER, LK-INT, ID=.25,	176
36451-101	BRACKET, SECURITY KEY C960	177
WCKN025-007	WASHER, PLAIN 1/4 BLACK	178
37126-102	ASSY, SECURITY LOCK, PWM	179
PKCN019-075	SCREW,S/T,#10X.75,WSHHXHD,ZN	180
36450-103	SAFETY GUARD, ALUM, C960	182
CCKN025-075	SCREW,SKHD,1/4-20X0.75,BLK ZN,LK	184
WACPN028-003	WASHER,.281"ID,.500"OD,.031"	186
TAKN025-250	SCREW,BTHD,1/4-20X2-1/2,BLK ZN	190
37805-103	ASSY, LWR, ELECT, MODULE, PWM	191
59020-103	KIT,UPGRADE,LOWER ELECTRIC	191.01
37042-101	LABEL, PWM EQUIPPED PRODUCT	194
37436-101	LABEL, CHASIS NEUTRAL	196
59008-104	KIT, LIFT REVOLUTION SENSOR,	197
37564-101	LABEL, ON-OFF POSITION	198
37648-101	ASSY, CABLE, FAN	199
37657-101	BRACKET, COOLING FAN	201
10427-140	FUSE,SLOW,2A,250V,1/4 DIA	212
10186-102	WRENCH, ALLEN, 1/4	214
34065-101	INSTRUCTIONS, HANDRAIL OPTION	215
35628-102	HANDRAIL, SHORT, PAINTED	216
35629-102	HANDRAIL, LONG, PAINTED	217
10123-101	CABLE TIE,11 LONG,WHITE,NYL	218
36192-101	BUSHING, SPANNER	220
20038-101	SPRING, MOTOR BRUSH, 3 HP	226
20047-101	KEY, SECURITY	228
59011-105	ASSY, SPEED SENSOR, 120V LARGE	229
11085-105	FUSE,FAST,5A,300V,W/HOLDER	231
20029-102	BELT, DRIVE, LIFT, DAYCO	232
33864-105	OWNERS MANUAL, C964	233
59005-107	ASSY, WELDMENT, FRAME, PWM,	234
38844-502	COVER,CUT-OUT,C-SAFE,BLK,PT, OOH	243
38876-501	GASKET,RUBBER,HALL EFFECT	244
10104-121	TAPE, CLEAR FILIMENT, 180' RL,	297
37122-102	ASSY, CABLE, JUMPER, 120V PWM	298
20002-106	BRUSH, MOTOR, PAC SCI, C960	990